



## Single tank sink S1000 Gun Metal

Kitchen Sinks

Code: 1180 156



### DETAILS

Edge/Installation Type	Flat Edge
Material	AISI 304 stainless steel
Texture	Foster brushed
Finish	PVD
Coloring	Gun Metal
Base	80 cm
Dimensions	865 x 505 mm
Bowl dimension	726 x 350 mm
Width	86 cm

Built-in hole 840 x 480 mm

---

Number of bowls 1 bowl

---

Drainer No

---

Mixer holes 1 standard hole - 2nd and 3rd on request

---

Standard fittings Fixing hooks, gasket, drain, overflow and siphon, boxed packing

---

Waste fitting 3,5" drain

---

## FEATURES

**Added value** Foster uses steel thicknesses higher than those used on average by other manufacturers. This is how, thanks to our long experience, we know how to make sinks of superior quality and with a better resistance to aging.

---

**ADDITIONAL HOLES AVAILABLE** The sink can be customized with the execution on request of additional holes, usable for double-hole mixers, for remote controlled drains or for the installation of soap dispensers. The positions are marked on the drawings with dotted line holes.

---

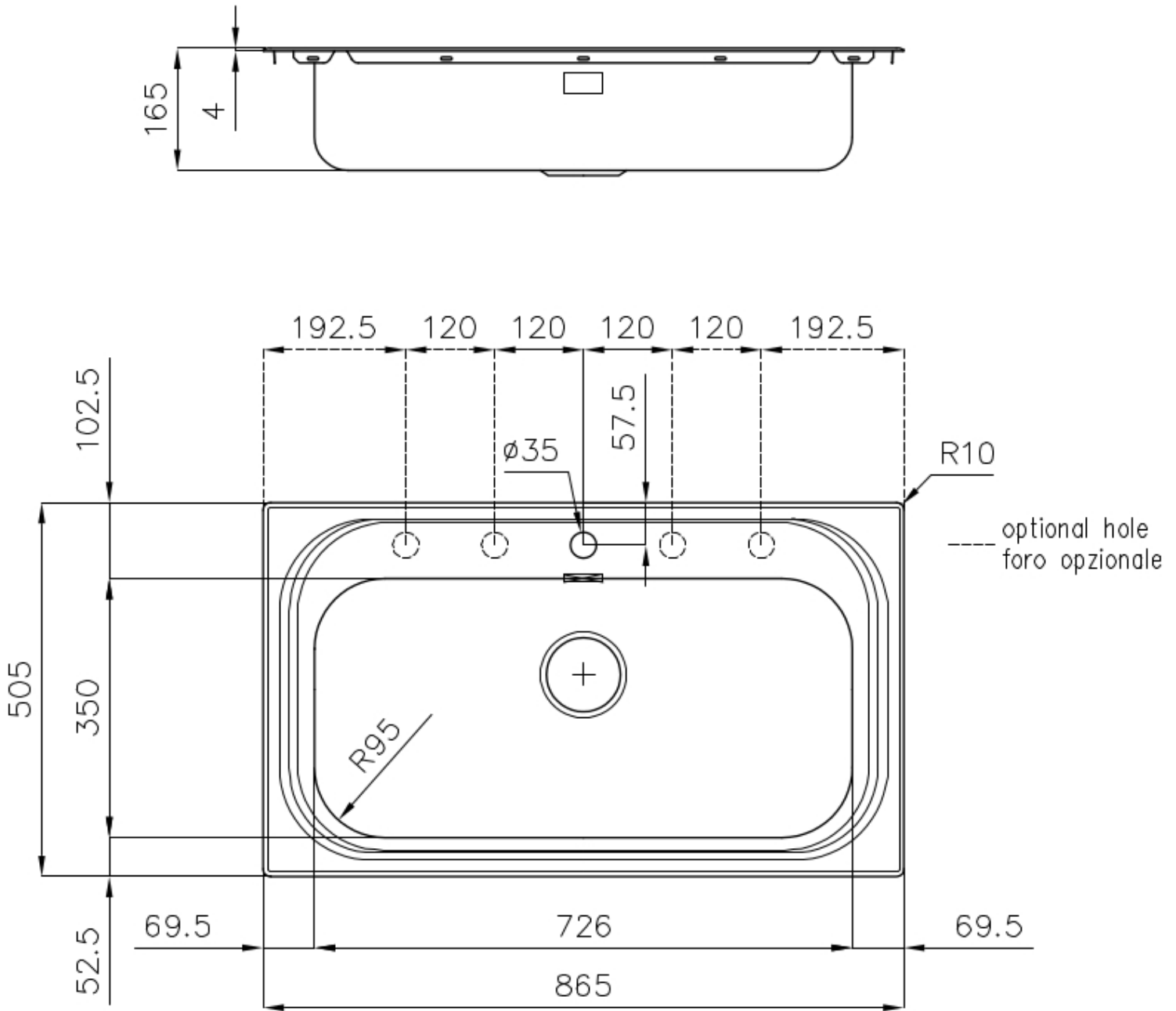
**Basket 3,5" waste fitting** The drain is equipped with a large 3.5" drain, with the practical basket cap that prevents the discharge of solid parts.

---

**Gun Metal** The Gun Metal finish is obtained by treating steel with a physical process called PVD (Physical Vacuum Deposition) which deposits particles of noble metals on the surface. The result is a unique and refined aesthetic effect, and an improvement of the mechanical properties of the steel which is more resistant to impact and scratches.

---

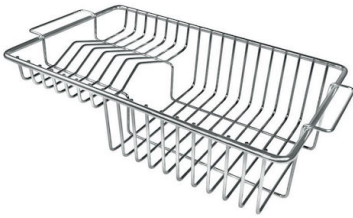
## TECHNICAL DATA



## GALLERY



## OPTIONAL ACCESSORIES



**Stainless steel plate rack**  
8100 305



**Glass chopping board**  
8633 300



**Iroko-wood chopping board**  
8643 117

## RECOMMENDED PAIRINGS



**Mixer Tap Omega Gun Metal**  
8497 856

## OPTIONAL AUTOMATIC WASTE FITTINGS



**Gun Metal automatic waste fitting -  
PG**  
8407 110



**Space Push Gun Metal automatic  
waste fitting - PO**  
8407 120